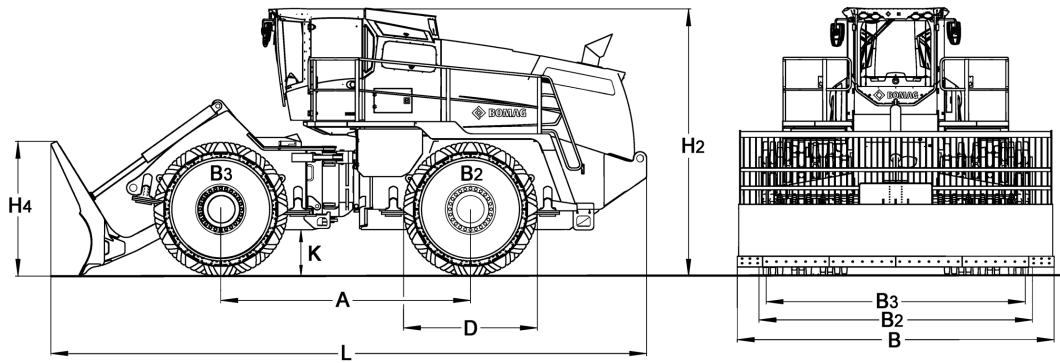


# TECHNICAL DATA

REFUSE COMPACTOR

BC 873 RB-5, BC 973 RB-5, BC 1173 RB-5





**Dimensions in mm**

	<b>A</b>	<b>B</b>	<b>B2</b>	<b>B3</b>	<b>D</b>	<b>H2</b>	<b>H4</b>	<b>K</b>	<b>L</b>
<b>BC 873 RB-5</b>	4110	4540	4030	3795	2150	4375	2225	740	9780
<b>BC 973 RB-5</b>	4110	5200	4500	4265	2200	4400	2285	765	9780
<b>BC 1173 RB-5</b>	4110	5200	4500	4265	2200	4400	2285	765	9780

**Shipping dimensions in m3**

<b>BC 873 RB-5</b>	194,255
<b>BC 973 RB-5</b>	223,766
<b>BC 1173 RB-5</b>	223,766

**Technical Data****BOMAG  
BC 873 RB-5****BOMAG  
BC 973 RB-5****BOMAG  
BC 1173 RB-5****Weights**

Grossweight .....	kg	41.900	48.500	57.400
Operating weight CECE .....	kg	41.300	47.900	56.600

**Driving Characteristics**

Speed (1), forward .....	km/h	0- 12,0	0- 12,0	0- 12,0
Speed (1), reverse .....	km/h	0- 12,0	0- 12,0	0- 12,0
Max. gradeability (dep. on soil con.) .	%	100	100	100
Max. pushing force .....	kN	448	502	613

**Drive**

Engine manufacturer .....		Merc.-Benz	Merc. Benz/MTU	Merc. Benz/MTU
Type .....		OM 471 LA	OM 473 LA	OM 473 LA
Emission stage .....		Stage V / TIER4f	Stage V / TIER4f	Stage V / TIER4f
Exhaust gas aftertreatment .....		DOC+DPF+SCR	DOC+DPF+SCR	DOC+DPF+SCR
Cooling .....		Liquid	Liquid	Liquid
Number of cylinders .....		6	6	6
Performance ECE R 120 .....	kW	340,0	430,0	430,0
Performance SAE J 1349 .....	hp	456,0	576,0	576,0
Speed .....	min-1	1.600	1.600	1.600
Travel system .....		hydrost.	hydrost.	hydrost.
Operating voltage .....	V	24	24	24

**Compaction Wheels**

Width, front .....	mm	1.200	1.400	1.400
Width, rear .....	mm	1.200	1.400	1.400
Number of teeth/cutters, front .....		60	72	72
Number of teeth/cutters, rear .....		60	72	72
Compaction coverage per side .....	mm	1.320	1.520	1.520

**Brakes**

Service brake .....		hydrost.	hydrost.	hydrost.
Parking brake .....		hydromec.	hydromec.	hydromec.

**Steering**

Steering system .....		oscil.artic.	oscil.artic.	oscil.artic.
Steering method .....		hydraulic	hydraulic	hydraulic
Track radius, inner .....	mm	3.492	3.292	3.292
Steering / oscillating angle +/- .....	grad	40/15	40/15	40/15

**Dozer Blade**

Height adjustment over ground level .	mm	1.375	1.375	1.375
Height adjustment below ground level	mm	50	50	50
Dozer blade capacity acc. to SAE J 1265	m3	13,8	15,8	15,8

**Capacities**

Fuel .....	l	980,0	980,0	980,0
Engine oil .....	l	45,0	52,0	52,0
Hydraulic oil .....	l	590,0	660,0	590,0
AdBlue (DEF) ® .....	l	95,0	95,0	95,0

Technical modifications reserved. Machines may be shown with options.

## Standard Equipment

## Optional Equipment

- Polygonal compaction wheels, velded forged teeth
- Sliding windows on both sides
- Premium compaction wheels with highly wear resistant teeth
- Pre start cabin heating
- Fire extinguisher
- Special painting
- Protective ventilation system (Pre-installation)
- Hood lock (anti-theft protection)
- Tool kit
- Semi-U-Blade 5244mm
- Cold start device 115V
- Cold start device 230V
- TELEMATIC POWER

